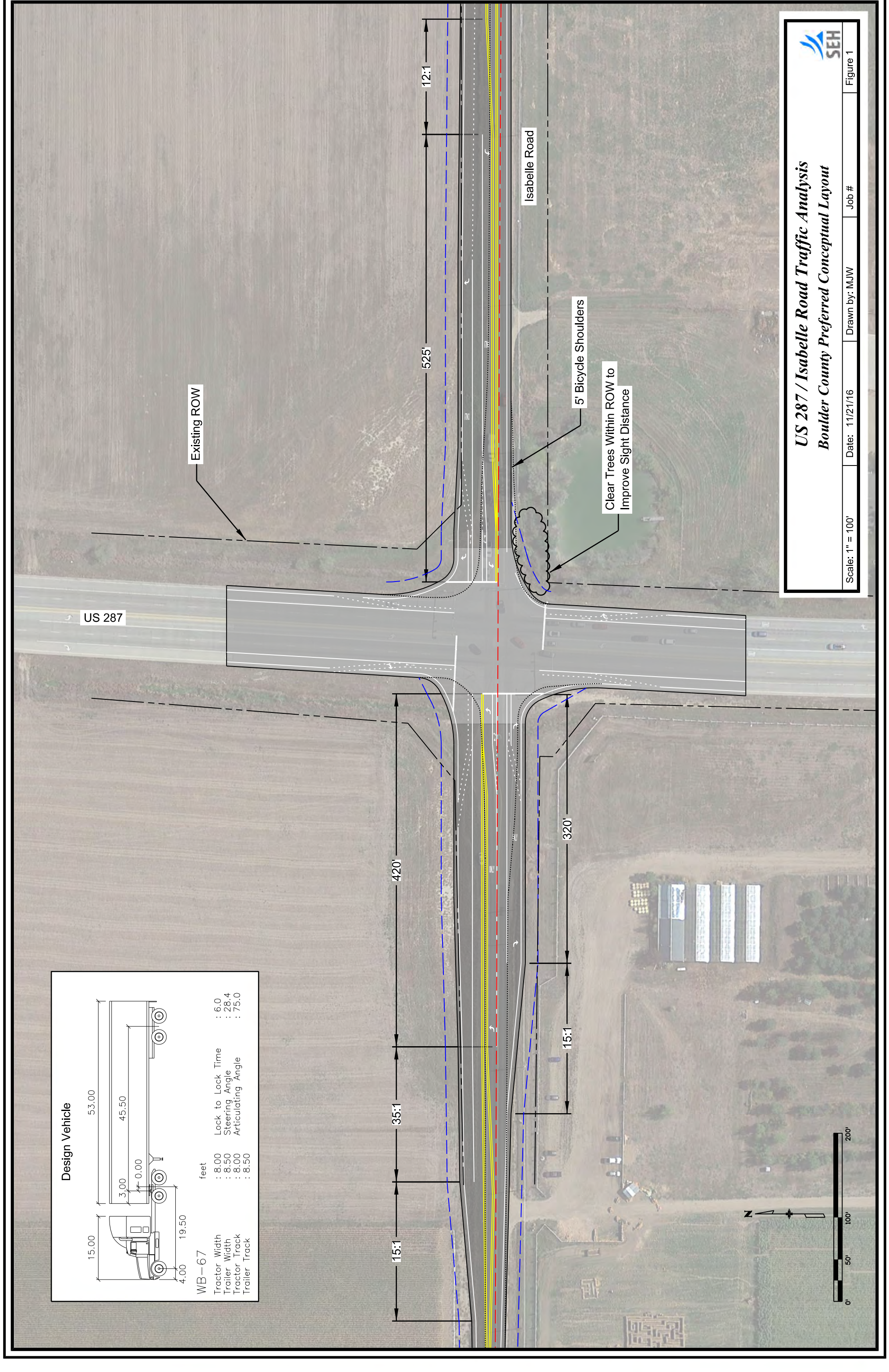
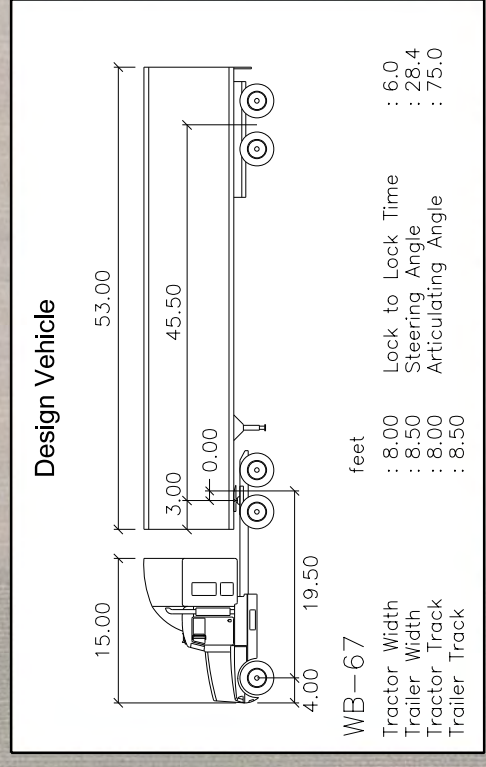


**US 287 / Isabelle Road Traffic Analysis**  
**Boulder County Preferred Conceptual Layout**

Drawn by: MJW

Date: 11/21/16

Scale: 1" = 100'



US 287

Isabelle Road

5' Bicycle Shoulders

Clear Trees Within ROW to Improve Sight Distance

Existing ROW

42:1

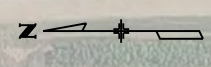
35:1

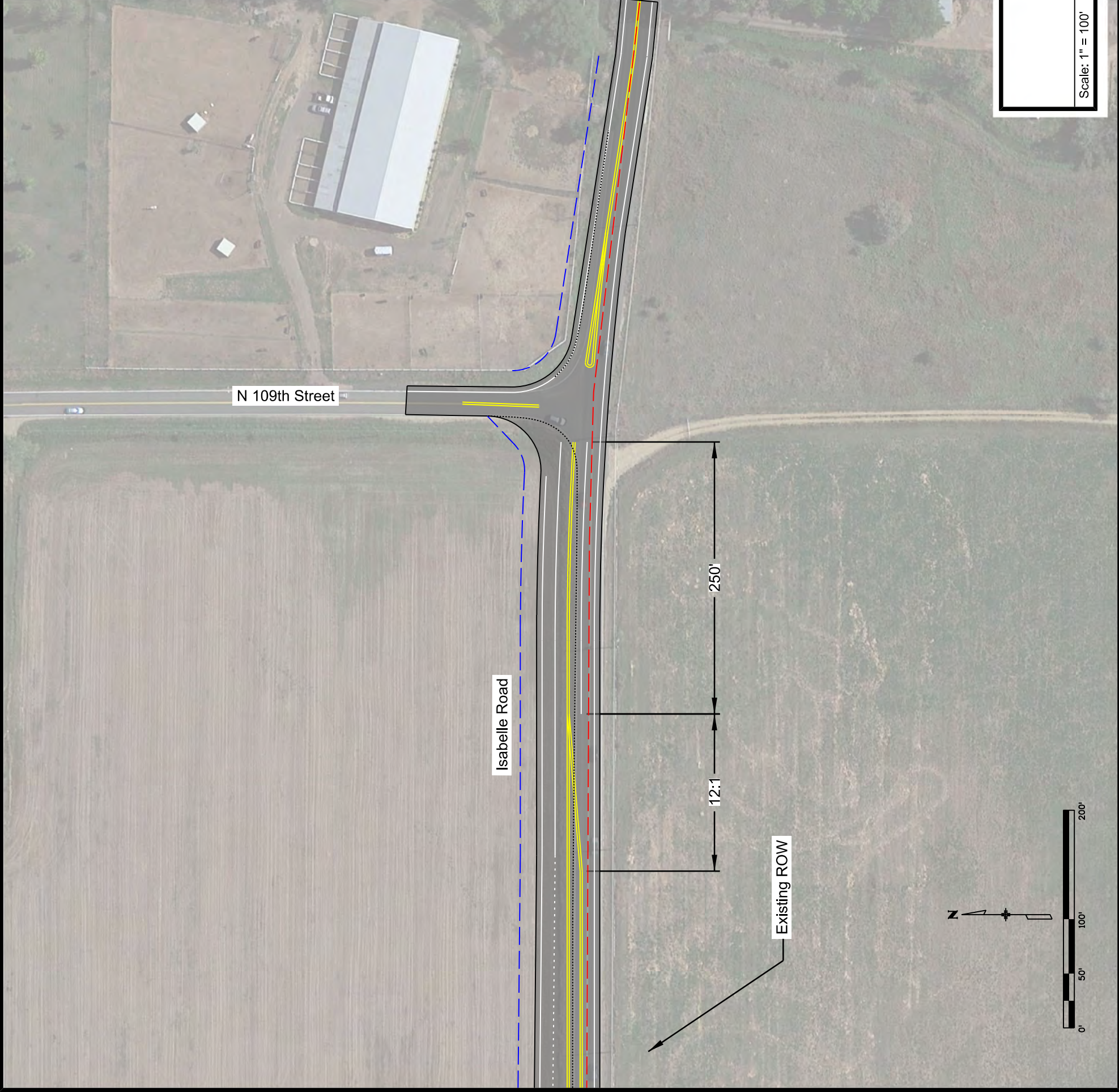
12:1

525'

320'

15:1





**US 287 / Isabelle Road Traffic Analysis**  
**Boulder County Preferred Conceptual Layout**

